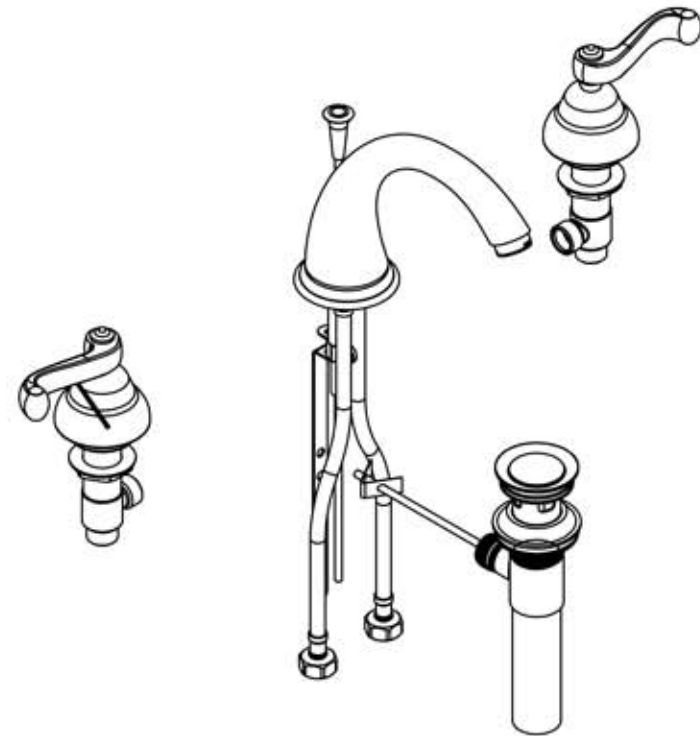


ITEM NO.	PART NUMBER	DESCRIPTION	QTY.
	10792	STOPPER DRAIN	1
	90507	GASKET, STOPPER DRAIN (O-RING)	1
A	90508	GASKET, BALL ROD	1
	10794	BALL ROD	1
	92088	NUT, BALL ROD	1
	10793	TAIL TUBE	1
	92092	CLIP POP-UP	1
	90529	RUBBER WASHER, DRAIN ASSY. FOR BALL ROD	1
	92198	BRASS NUT, M6X1.0, FOR STOPPER ROD DRAIN ASSY.	1
B	92199	STEEL STRAP FOR DRAIN ASSY (3-046)	1
	92200	WING NUT FOR STEEL STRAP DRAIN ASSY. 1/4-20	1
8	3-059/00	AERATOR, 15/16" MALE HOUSING	1
	30032/00	AERATOR HOUSING 15/16" MALE HOUSING	1
	30031	AERATOR DROP-IN INSERT 1.5 GPM	1
	30030	RUBBER SEAL WASHER AERATOR	1
9	92163	SET SCREW, CONE PT 8-32 X 1/8"L	4
10	P01032/00	K160 LEVER FOR HANDLE	2
C	P02004/00	K190X2 COVER PLATE	2
12	P03019/00	K120 SPOUT BASE	1
13	P03024NL/00	SPOUT, SMOOTH	1
14	P04009	POP UP KNOB F/DORALFE SPOUT	1
15	P34002	C-WASHER FOR TEE LESS SPOUT	1
16	P34004	2" EXTENTION NUT F/TEE LEES SPOUT	1
17	P34005	GASKET FOT TEE LESS.	1
D	P39001	HEX KEY 5/64. FOR 8-32 SET SCREW	1



ZONE	REV.	DESCRIPTION	DATE	APPROVED
REVISIONS				
1261 LOGAN AVENUE COSTA MESA, CALIFORNIA 92626 PHONE: 714.361.4800 FAX: 714.617.3120		PHYLORICH®	Defining Luxury Since 1959	

**PROPRIETARY AND CONFIDENTIAL**  
 THE INFORMATION CONTAINED IN THIS DRAWING IS THE SOLE PROPERTY OF RSS MANUFACTURING. ANY REPRODUCTION IN PART OR AS A WHOLE WITHOUT THE WRITTEN PERMISSION OF RSS MANUFACTURING IS PROHIBITED.

NEXT ASSY		USED ON		INTERPRET GEOMETRIC DIMENSIONING & TOLERANCING IN ACCORDANCE WITH ASME Y14.5-2009 & ASME Y14.41-2003 STANDARDS, UNLESS OTHERWISE SPECIFIED. DIMENSIONS ARE IN INCHES. TOLERANCES ARE: FRACTIONS ±1/64"    DECIMALS X.X: ±.1    ANGULAR X.XX: ±.01    X.XXX: ±.005		
APPLICATION		MATERIAL		NAME	DATE	
FINISH		DRAWN	CA	10/10/2013		
DO NOT SCALE DRAWING		CHECKED	GRE			

**WIDESPREAD FAUCET, REVERE & SAVANNAH, CURVED HANDLE (100-02/00)**

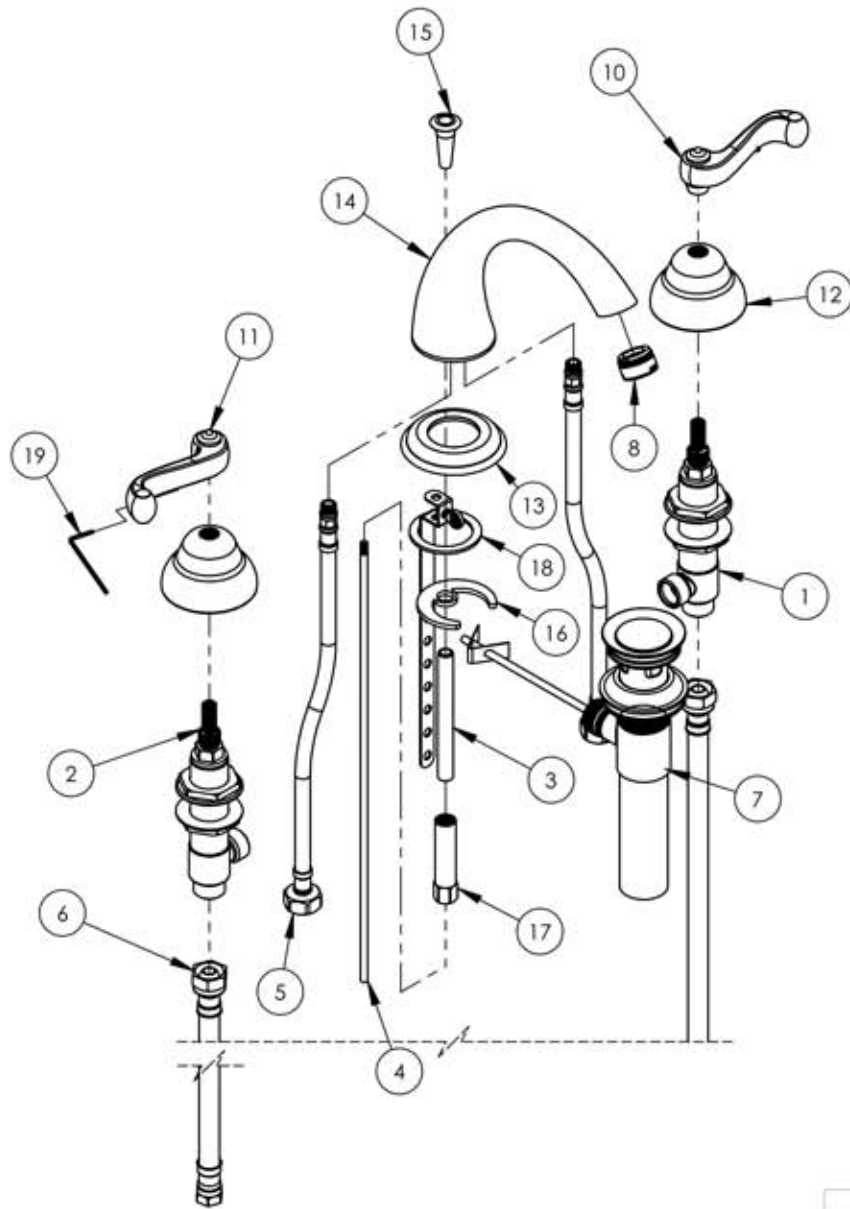
SIZE	ASM/PRT NO.	REV
A	D202/00	-
SCALE: 1:5	WEIGHT: lbs.	SHEET 2 OF 3

A

B

C

D



ITEM NO.	PART NUMBER	DESCRIPTION	QTY.
1	1-109	WIDESPREAD VALVE COLD LAV 16PT	1
	10716	VALVE BODY, WIDESPREAD LAV	1
	10248	INTERNAL SEAT FOR WIDESPREAD	1
	90013	O-RING, 7/16"ID X 9/16"OD X 1/16"THK, AS-568-013	1
	10235	CARTRIDGE, VALVE 1/2"G W/ 16PT COLD LEAD FREE	1
	92037-BL	NUT, FLANGED 1"-20 THREAD	2
2	1-110	WIDESPREAD VALVE HOT LAV 16PT	1
	10716	VALVE BODY, WIDESPREAD LAV	1
	10248	INTERNAL SEAT FOR WIDESPREAD	1
	90013	O-RING, 7/16"ID X 9/16"OD X 1/16"THK, AS-568-013	1
	10236	CARTRIDGE, VALVE 1/2"G W/ 16PT HOT LEAD FREE	1
	92037-RD	NUT, FLANGED 1"-20 THREAD	2
3	10182	NIPPLE, SHANK 1/8"-27NPSM X 4"L	1
4	10719/00	POP-UP ROD, 10-24, 14" LONG	1
5	10720	HOSE, M10 TO 1/2"NPSM,950	2
6	10983	HOSE, 3/8" COMP. X 1/2' NPSM - 24"L	2
7	3-046/00	POP-UP DRAIN ASSEMBLY (2-101, 2-102)	1
	10790	BODY, POP-UP DRAIN	1
	92091	PLASTIC GASKET	1
	92089	MOUNTING NUT, DRAIN ASSY.	1
	92090	NYLON WASHER	1
	90505	CONICAL GASKET, RUBBER	1
	90506	RIM GASKET DRAIN	1
	10791	DRAIN RIM	1
	10796	STOPPER ROD	1
	10795	GUIDE, POP-UP DRAIN	1

E

ZONE	REV.	DESCRIPTION	DATE	APPROVED
------	------	-------------	------	----------

REVISIONS

1261 LOGAN AVENUE  
COSTA MESA, CALIFORNIA 92626  
PHONE: 714.361.4800  
FAX: 714.617.3120

# PHYLIRICH®

Defining Luxury Since 1959

**PROPRIETARY AND CONFIDENTIAL**

THE INFORMATION CONTAINED IN THIS DRAWING IS THE SOLE PROPERTY OF RSS MANUFACTURING. ANY REPRODUCTION IN PART OR AS A WHOLE WITHOUT THE WRITTEN PERMISSION OF RSS MANUFACTURING IS PROHIBITED.

-	-	INTERPRET GEOMETRIC DIMENSIONING & TOLERANCING IN ACCORDANCE WITH ASME Y14.5-2009 & ASME Y14.41-2003 STANDARDS, UNLESS OTHERWISE SPECIFIED. DIMENSIONS ARE IN INCHES. TOLERANCES ARE:		
NEXT ASSY	USED ON	FRACTIONS ±1/64"	DECIMALS X.X: ±.1 X.XX: ±.01 X.XXX: ±.005	ANGULAR ±.5°
APPLICATION				
MATERIAL				
FINISH	DRAWN	NAME	DATE	
	CHECKED	GRE	10/10/2013	
<b>DO NOT SCALE DRAWING</b>				

WIDESPREAD FAUCET, REVERE & SAVANNAH, CURVED HANDLE  
(100-02/00)

SIZE **A** ASM/PRT NO. **D202/00** REV **-**

SCALE: 1:5 WEIGHT: lbs. SHEET 1 OF 3

5

4

3

2

1